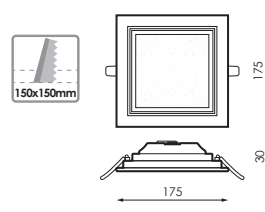
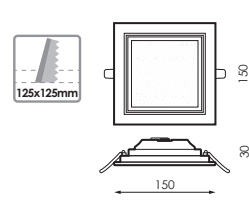


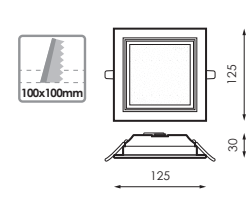
KENTAU SQ 20W



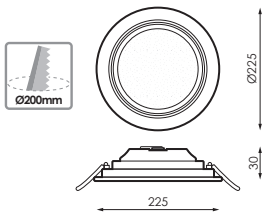
KENTAU SQ 14W



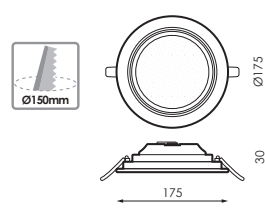
KENTAU SQ 9W



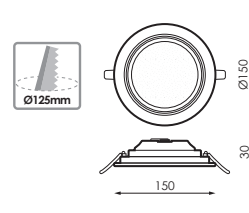
KENTAU SQ 6W



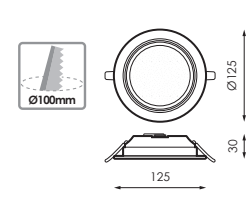
KENTAU CL 20W



KENTAU CL 14W



KENTAU CL 9W



KENTAU CL 6W

REMARKS

BEFORE INSTALLING THIS PRODUCT, PLEASE READ THE INSTRUCTIONS CAREFULLY AND STORE THEM IN A SAFE PLACE. THE INSTALLATION SHOULD BE CARRIED OUT BY PROFESSIONAL INSTALLATORS. INCORRECT HANDLING OF THE PARTS OR THE LIGHT FIXTURE ITSELF MAY IMPAIR THE PROPER PERFORMANCE OF THIS PRODUCT. IN THIS CASE, THE MANUFACTURER GUARANTEE SHALL BE DEEMED VOID. THE MANUFACTURER GUARANTEE SHALL BE DEEMED VOID: IF THE INSTALLATION IS NOT PERFORMED IN ACCORDANCE WITH THE SPANISH LOW VOLTAGE ELECTROTECHNICAL REGULATION (REBT 2002) RD 842/2002, EUROPEAN DIRECTIVE 98/34/CEE, DIRECTIVE 73/23.

PRECAUTIONS:

- Keep product out of the reach of children.
- Do not immerse this device in water or handle it with wet hands.
- Do not use gloves or any plastic material.
- Be careful not to bang the device.
- Do not install the product in the presence of heat sources or high concentration of moisture.
- Do not handle the product whilst it is in use and allow it to cool down before hand contact.
- Maintain a minimum distance of 1m between the device and the nearer surface or object.
- Not suitable for bathroom use.
- Under no circumstances should the screen be covered with thermal insulation material.
- If the device is faulty, replace immediately with a new one.
- Disconnect current before installing device.
- Handle the light fixture by holding the body, never the diffuser, as it may collapse and damage the light source (LED).
- A discharge on this light fixture may destroy or damage its electrostatic sensitive components.

ASSEMBLY INSTRUCTIONS:

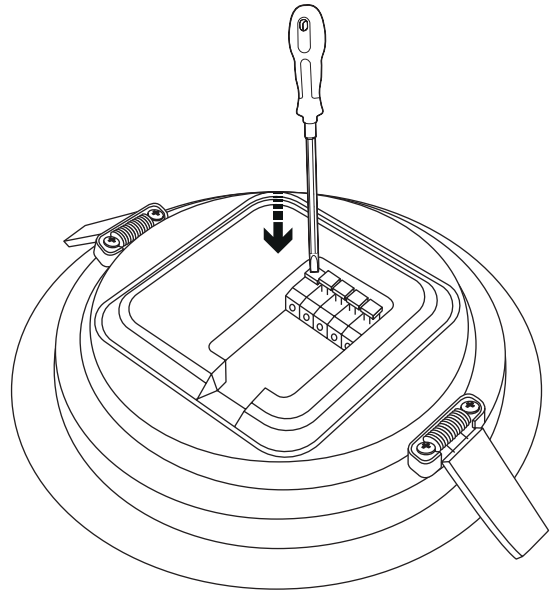
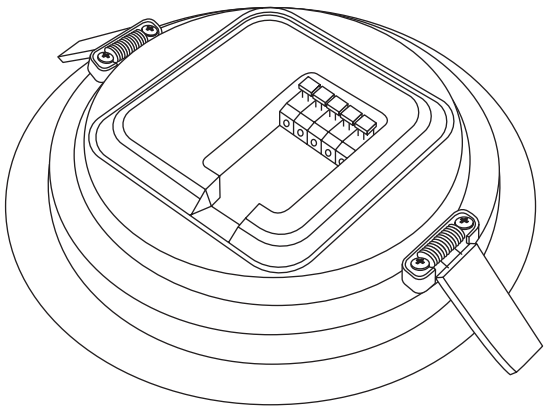
1. Make a hole in the mounting surface, ensuring the diameter of the hole corresponds to each size of device (See table).
2. Disconnect power.
3. Open the driver's cap (FIG.1).
4. Lift the three flaps along with the wire clip (FIG.2).
5. Insert the power cord as required (SEE CONNECTION DIAGRAM).
6. Using the supplied screws, fix the clip to the device to make sure the cable is kept in the right position.
7. Close the driver downline cap.
8. Insert the driver into the installation hole.
9. Tilt the fastening springs and insert the light fixture into the ceiling.
10. Reconnect electric current.

REPLACING THE LAMP:

- Non-replaceable lamp.

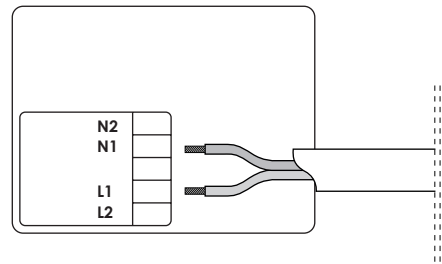
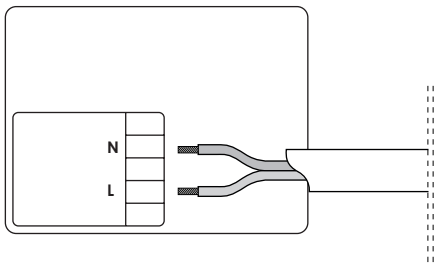
REPLACING THE DRIVER:

1. Disconnect power.
2. Remove light fixture.
3. Replace the gear for a new one. Follow the previous instructions for wiring driver.
4. Return the light fixture to the installation hole.
5. Reconnect power.



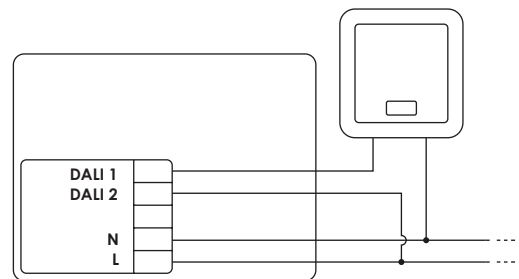
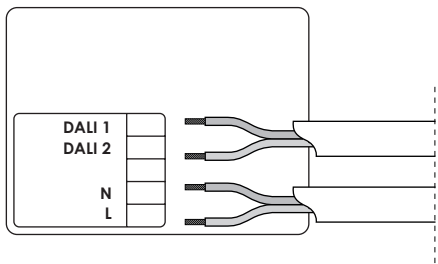
**CONNECTED
WITHOUT REGULATION 6W/9W**

**CONNECTED
WITHOUT REGULATION 14W/20W**

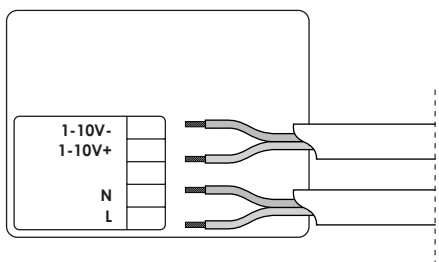


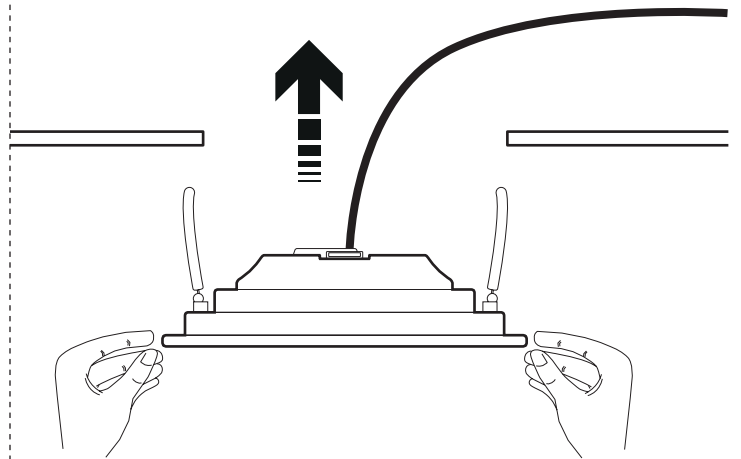
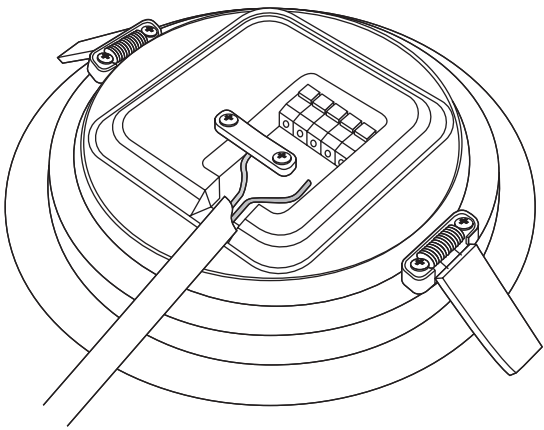
REGULACION DALI

CONTROL TOUCH



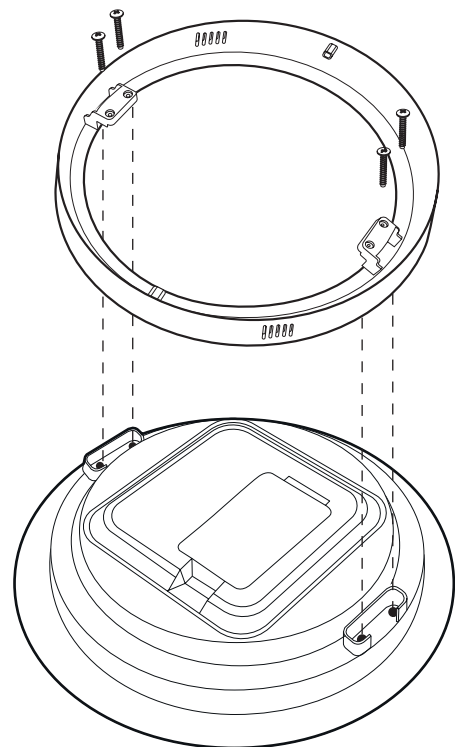
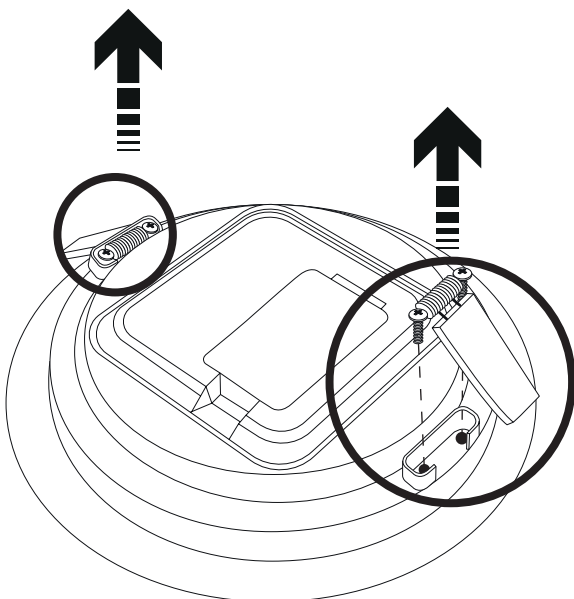
REGULACION 1-10V

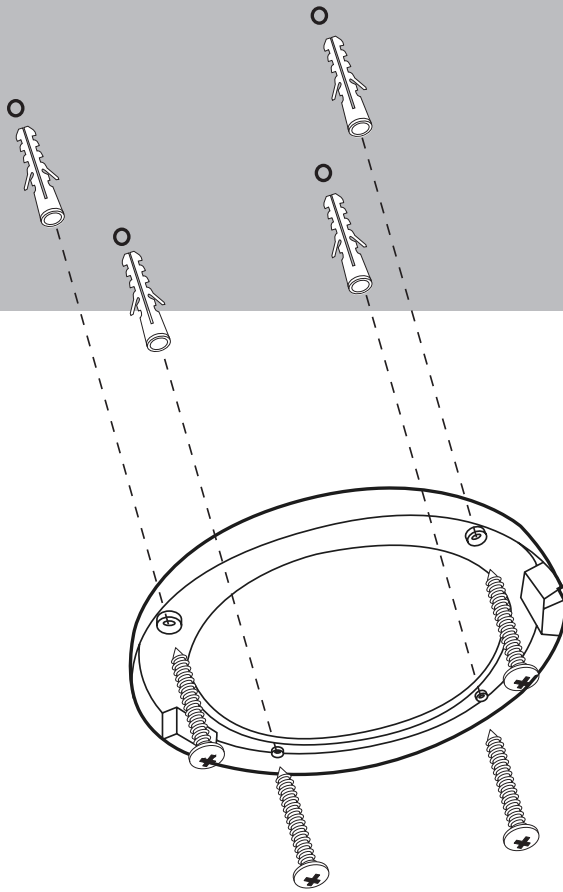




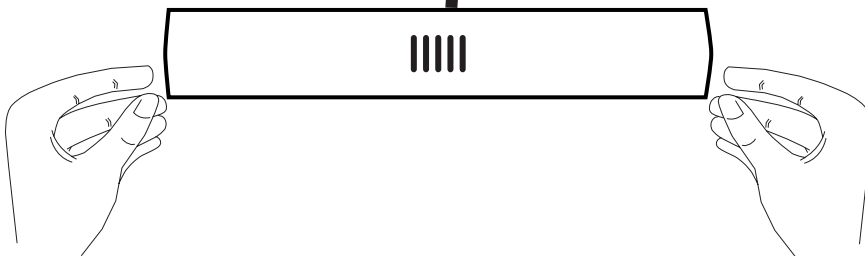
IF YOUR PRODUCT IS SURFACE MOUNTED FOLLOW THE FOLLOWING INSTRUCTIONS:

1. Check that your product contains all the parts: trim, fixing ring, 2 fixing spring screws, 4 surface fastening screws and 4 plugs.
2. Take the attachment ring and place it on the surface where the product will be installed.
3. HMark the 4 holes and drill them. Place the fixing ring on the surface by screwing it into the 4 holes.
4. Remove the springs and screw the appliance to the bezel with the 2 small screws provided.
5. Proceed with the connection of the appliance (SEE INSTALLATION INSTRUCTIONS).
6. Place the fitting in the fixing ring, inserting it into the marks (and when case of the circular, turn the appliance).





CLICK!!!



www.grupoprilux.com



prilux |

